

STARMAX

The world's leading battery brand



XP SERIES-LONG LIFE **BATTERIES**

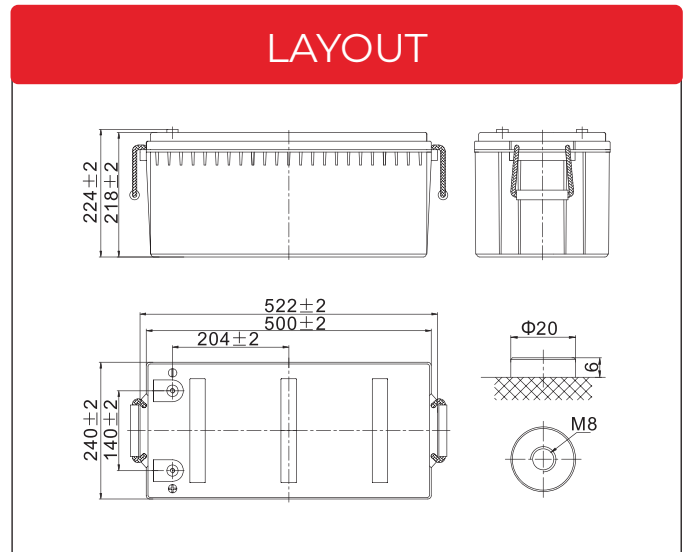
XP12-740



www.starmaxbatteries.com

XP Series

XP12-740



General Features

- ✓ Special designed grids for optimized high power density
- ✓ Oversized partition intercell welds, providing low resistance connections & minimal power loss
- ✓ Advanced lead tin calcium alloy, reduces grid corrosion & promotes long battery life
- ✓ Performance excels at high rates of discharge & recharge
- ✓ High integrity post seal for long life

Applications

- ✓ UPS
- ✓ Hospitals & Testing Laboratories
- ✓ Emergency Power Supply
- ✓ Electric starting
- ✓ Telecommunications
- ✓ Data Centers

Standards

- ✓ Compliance with IEC 60896 standards
- ✓ Classified as "Long Life" according to Eurobat
- ✓ CE, UL Certified
- ✓ Manufactured in Starmax, OHSAS 18001, ISO 9001 and ISO 14001 certified production facilities



SPECIFICATIONS

Rated Voltage	12V		
Nominal Rate	(W ₁₅ ,1.67V/cell)	740W	
Nominal Capacity	(C ₁₀ ,1.80V/cell)	210Ah	
Dimensions	Length	522±2mm (20.6 inches)	
	Width	240±2mm (9.45 inches)	
	Container height	218±2mm (8.58 inches)	
	Total height	224±2mm (8.82 inches)	
Approx. weight	64.5kg (142.2 lbs)		
Terminal	M8		
Container material	ABS(UL94 V-0)		
Rated capacity (25°C)	210.0 Ah	C10(21.0A,1.80V/cell)	
	195.2 Ah	C8(24.4A,1.80V/cell)	
	185.0 Ah	C5(37.0A,1.75V/cell)	
	163.5 Ah	C3(54.5A,1.75V/cell)	
	133.6 Ah	C1(133.6A,1.60V/cell)	
Max. discharge current	2100A (5s)		
Internal resistance (25°C)	Approx 2.6mΩ		
Operating temp. range	Discharge	-20~55°C (-4~131°F)	
	Charge	-20~40°C (-4~104°F)	
	Storage	-15~50°C (5~122°F)	
Nominal operating temp. range	25±3°C (77±5°F)		
Max.Charging Current(25°C)	52.5A		
Charge voltage(25°C)	Charge voltage		Temp. Coefficient
	Float	2.25 ~2.30V/cell	-3mV/cell/°C
	Equalization	2.30~2.40V/cell	-4mV/cell/°C
Effect of temp. to Capacity	40°C (104°F)		103%
	25°C (77°F)		100%
	0°C (32°F)		86%
Self discharge	≤3%/month @ 25°C		

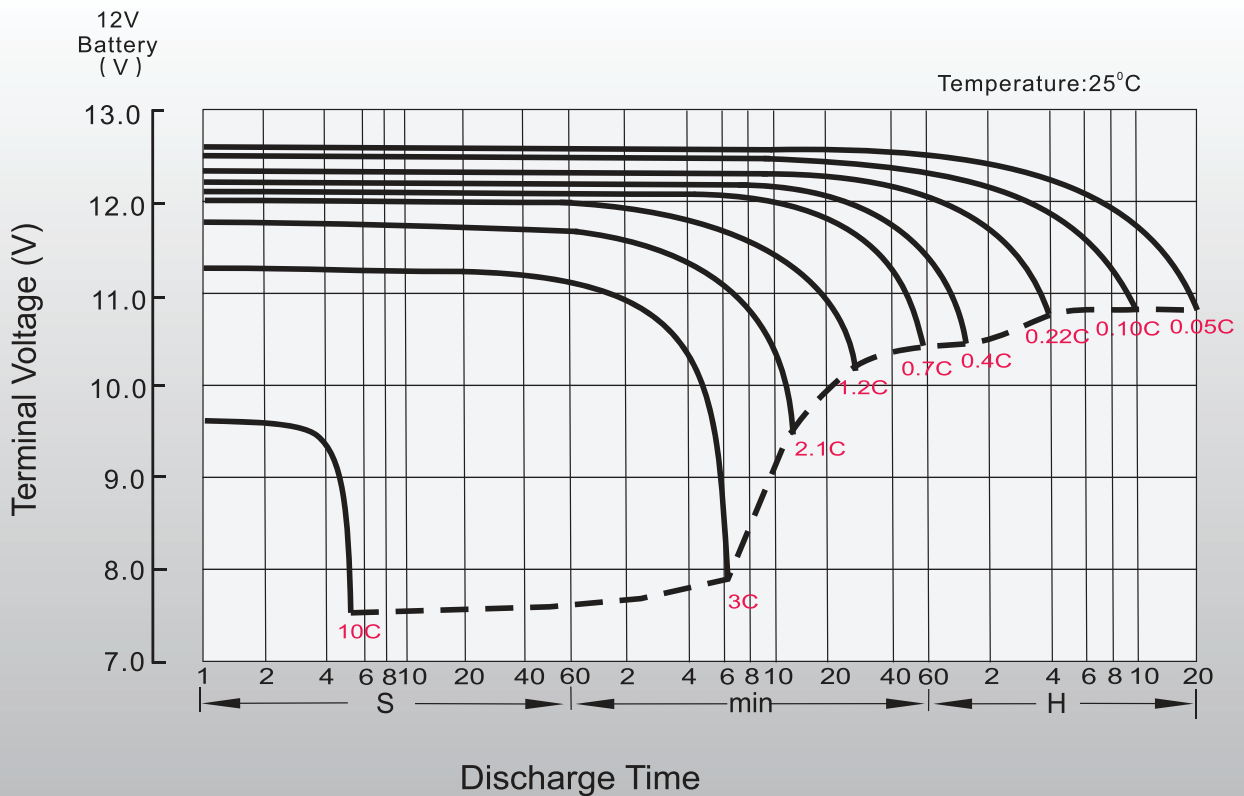
Constant Current Discharge (Amperes) at 25°C (77°F)

F.V/Time	5min	10min	15min	20min	30min	45min	1h	1.5h	2h	3h	4h	5h	6h	8h
1.85V/cell	448.7	358.2	310.6	244.2	172.3	128.6	115.6	84.9	69.4	51.7	40.9	34.6	23.9	20.4
1.80V/cell	510.2	406.6	351.9	276.1	194.3	137.5	119.5	87.4	73.5	53.4	42.4	35.9	24.4	21.0
1.75V/cell	554.2	440.9	381.0	298.1	209.0	143.8	124.4	91.0	76.3	54.5	43.8	37.0	24.6	21.1
1.70V/cell	592.5	470.1	404.6	316.1	221.5	148.9	129.8	94.8	78.1	55.7	44.8	37.8	25.0	21.2
1.67V/cell	613.2	485.0	416.4	324.7	226.8	156.3	131.2	97.3	80.0	57.0	45.4	38.3	25.3	21.6
1.60V/cell	634.9	501.6	429.4	333.0	232.3	165.0	133.6	100.6	81.6	58.4	46.5	39.1	25.4	21.7

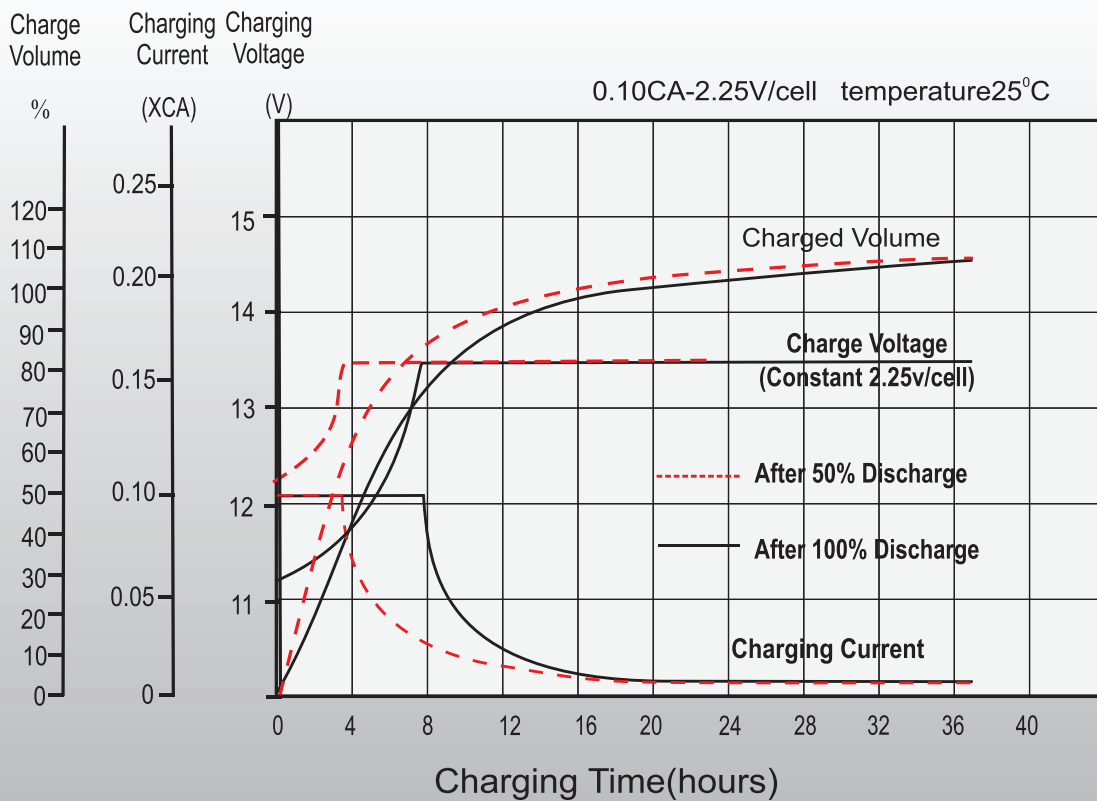
Constant Power Discharge (Watts/cell) at 25°C (77°F)

F.V/Time	5min	10min	15min	20min	30min	45min	1h	1.5h	2h	3h	4h	5h	6h	8h
1.85V/cell	837.9	673.8	588.0	464.5	329.3	247.3	223.6	164.5	135.0	101.0	80.2	68.1	47.4	40.6
1.80V/cell	937.3	753.8	657.8	519.6	368.3	262.5	229.8	168.6	142.2	103.9	82.8	70.5	48.3	41.7
1.75V/cell	1000.4	804.5	702.0	554.6	393.1	273.0	238.2	174.8	147.1	105.8	85.3	72.3	48.6	41.8
1.70V/cell	1051.7	845.7	738.0	583.0	413.3	280.8	247.3	181.2	150.0	107.7	87.0	73.7	49.3	42.1
1.67V/cell	1068.8	859.5	740.0	592.5	420.0	293.1	248.6	185.0	152.9	109.6	87.8	74.4	49.8	42.7
1.60V/cell	1083.7	871.5	760.5	600.8	425.9	306.5	251.4	189.9	155.0	111.8	89.5	75.5	49.9	42.8

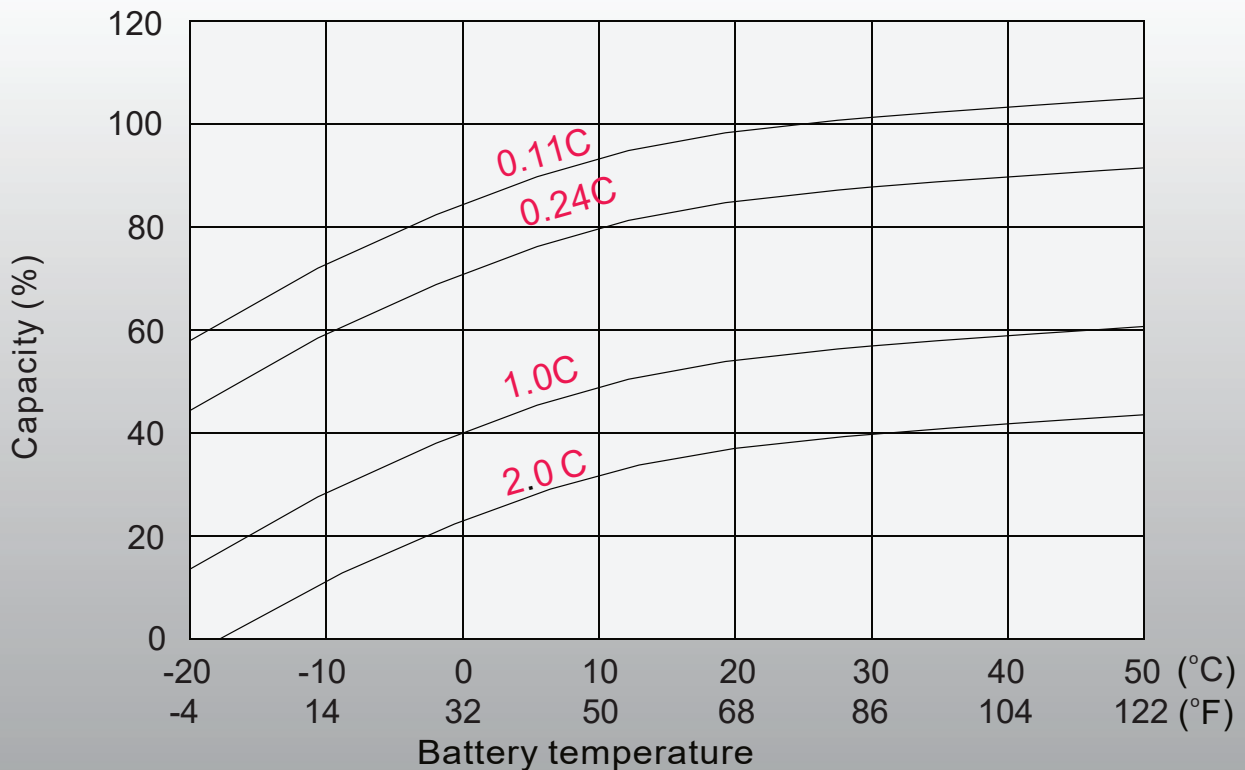
Discharge Characteristics



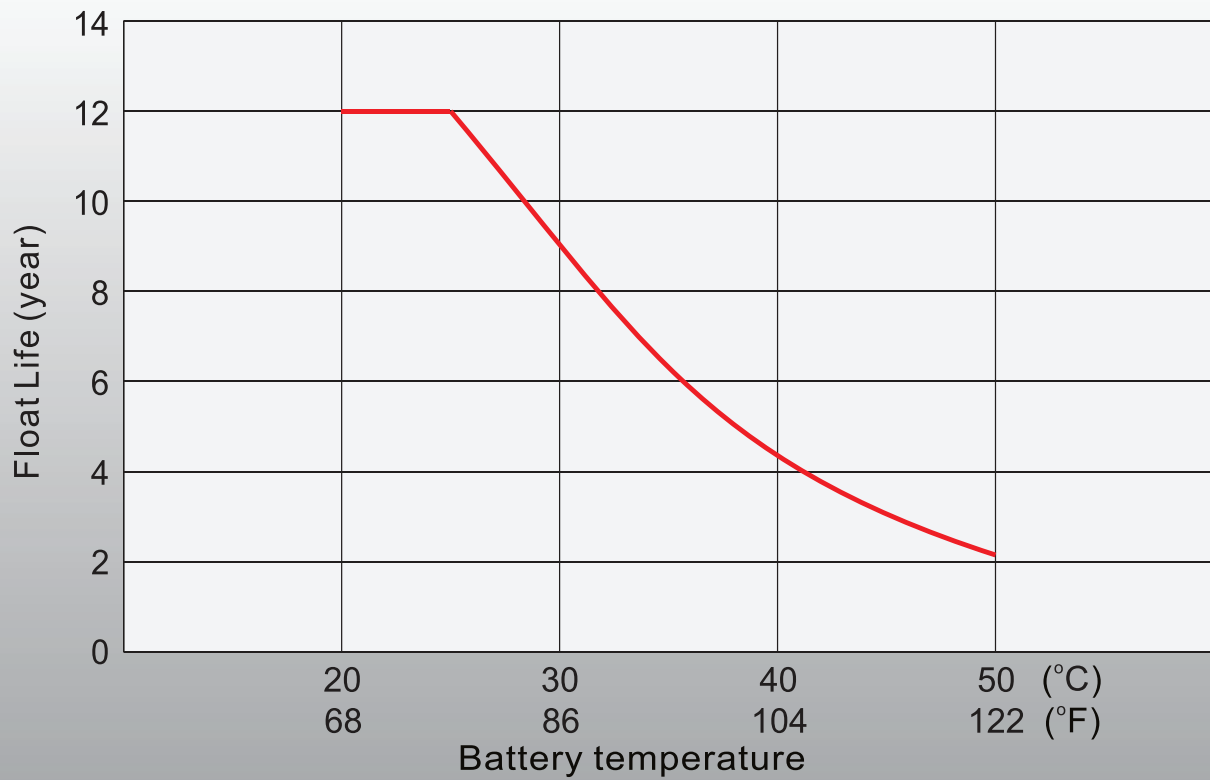
Float Charging Characteristics



Temperature Effects in Relation to Battery Capacity



Effect of Temperature on Long Time Float Life





Starmax Corporation

1585 Cliveden Avenue, Delta, British Columbia
V3M 6M1, Canada

Phone: +1 888 669 1310

Email: info@starmaxbatteries.com

Website: www.starmaxbatteries.com

