

STARMAX



MR MARINE AND RV
AGM TECHNOLOGY
BATTERIES

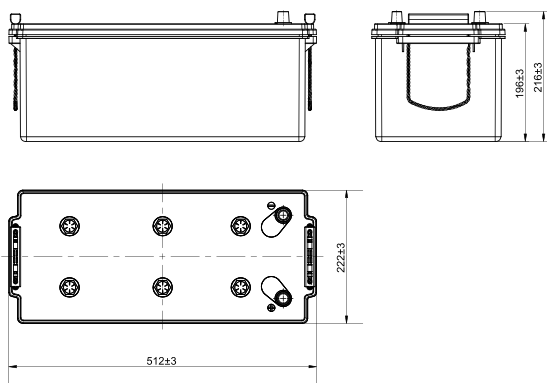
LONG LASTING . DURABLE . RELIABLE



www.starmaxbatteries.com

STM 12 - 180M AGM

Dimensions (mm)



General Features

- Superior starting & cycling performance
- Spill-proof, maintenance free AGM technology
- 3x higher cycle life compared to conventional starter batteries
- 2x Faster Charge Acceptance compared to conventional strater batteries
- High Strength Absorbed Glass Mat (AGM) Seperator built to withstand vibration
- Leak proof, double sealed lid for tilt protection
- UL recognized, IEC60896-21 & 22 certified and IATA approved for air freight

Electrical Specifications

Rated Capacity	20 hour rate(9.0A)	180Ah
Reserve Capacity		380min
Cold Cranking Performance Amps@0°F(-18°C)		900A



Physical Specifications (mm)

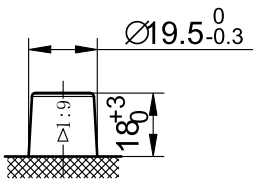
Nominal Voltage	12V	
Nominal Capacity(20HR)	180Ah	
Dimension	Length	512±3mm(20.16inches)
	Width	222±3mm(8.74inches)
	Container Height	196±3mm(7.72inches)
	Total Height (with Terminal)	216±3mm(8.50inches)
Weight	Approx 50.5Kg(111.4lbs)	
Standard Terminal	5	
Cell layout	3	
Hold-Down	B0	
Cell plate qty	/	
Case	Black-PP Material	
Cover	Black-PP Material	
Handle	Black-PP Material	

Standard Terminal (mm)

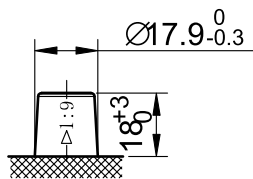
Cell Layout

Terminal
Type

5



POS



NEG

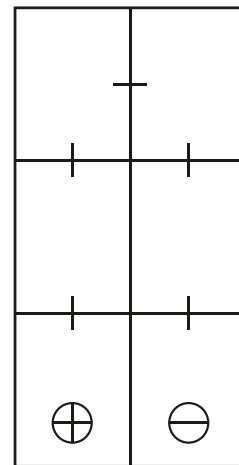
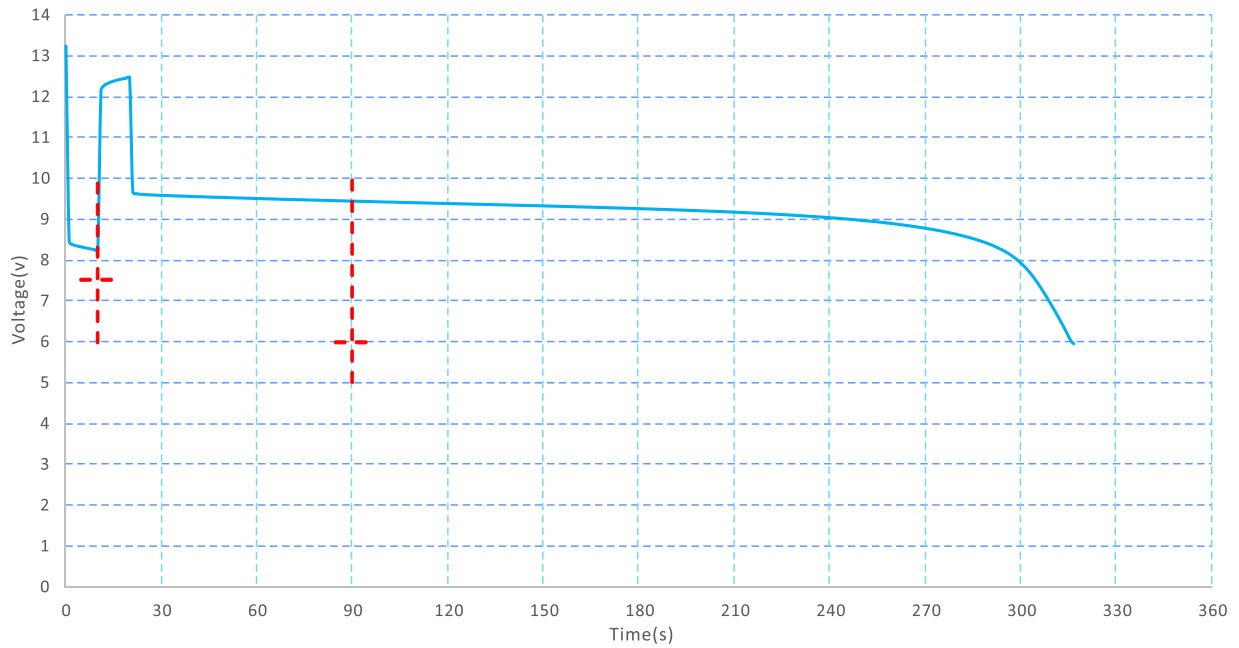


Figure (1)

Discharge Characteristics(-18°C,0°F)

STM12-180M (CCA-EN)
(CCA-SAE)Capacity Test(@-18)with I=700A
Spec $U_{10s} \geq 7.5V$ $U_{30s} \geq 7.2V$



*Values are subject to variation of +/- 5% in normal manufacturing processes.

*Technical specifications and the product line above could be changed without prior notice.



Starmax Corporation

1585 Cliveden Avenue, Delta, British Columbia
V3M 6M1, Canada

Phone: +1 888 669 1310

Email: info@starmaxbatteries.com

Website: www.starmaxbatteries.com

