

# STARMAX

The world's leading battery brand



## DEEP CYCLE GEL BATTERIES

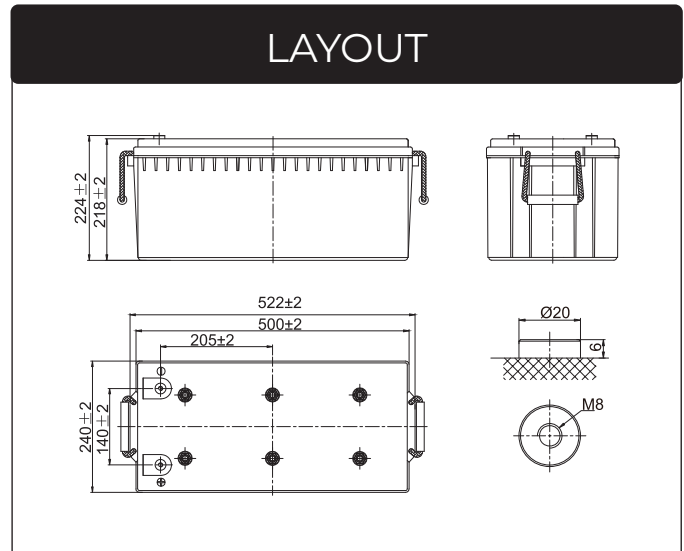
STG12-200 (12V 200AH)



[www.starmaxbatteries.com](http://www.starmaxbatteries.com)

# STG SERIES-GEL BATTERIES

## STG12-200



## General Features

- ✓ Battery design life up to 12 years
- ✓ Special plate design guarantees battery floating life more than 4000 times
- ✓ High thermal capacity reduce the risk of thermal out of control and drying hard, and the battery can be used in bad environment
- ✓ Little water losing, and no electrolyte stratification phenomenon

## Applications

- ✓ Telecommunications
- ✓ Solar system
- ✓ Wind power system
- ✓ Engine starting
- ✓ Wheelchair, Floor cleaning machines, Golf trolley, Boats

## Standards

- ✓ IEC 60896 Certified
- ✓ Classified as "Long Life" according to Eurobat
- ✓ UL, CE Certified
- ✓ Manufactured at Starmax® IATF16949, ISO 9001, ISO 14001 and ISO 45001 certified production facilities



# SPECIFICATIONS

Rated Voltage	12V	
Nominal Capacity	(C <sub>20</sub> ,1.80V/cell)	200Ah
Dimensions	Length	522±2mm (20.6 inches)
	Width	240±2mm (9.45 inches)
	Container height	218±2mm (8.58 inches)
	Total height	224±2mm (8.81 inches)
Approx. weight	62.3kg (137.4 lbs)	
Terminal	M8	
Container material	ABS	
Rated capacity (25°C)	200.0 Ah	C20(10.0A,1.80V/cell)
	190.0 Ah	C10(19.0A,1.80V/cell)
	165.5 Ah	C5(33.1A,1.75V/cell)
	148.2 Ah	C3(49.4A,1.75V/cell)
	120.3 Ah	C1(120.3A,1.60V/cell)
Max. discharge current	2000A (5s)	
Internal resistance (25°C)	Approx 4.6mΩ	
Operating temp. range	Discharge	-20~55°C (-4~131°F)
	Charge	-20~40°C (-4~104°F)
	Storage	-15~50°C (5~122°F)
Nominal operating temp. range	25±3°C (77±5°F)	
Standby Use	Initial Charging Current less than 50A. Voltage 2.23V~2.27V at 25°C (77°F)Temp. Coefficient -3mV/°C	
Equalization Use	Initial Charging Current less than 50A. Voltage 2.30V~2.37V at 25°C (77°F)Temp. Coefficient -4mV/°C	
Cycle Use	Initial Charging Current less than 50A. Voltage 2.40V~2.50V at 25°C (77°F)Temp. Coefficient -5mV/°C	
Effect of temp. to Capacity	40°C (104°F)	103%
	25°C (77°F)	100%
	0°C (32°F)	86%
Self discharge	STG series batteries may be stored for up to 6 months at 25°C(77°F) and then a freshening charge is required. For higher temperatures the time interval will be shorter.	

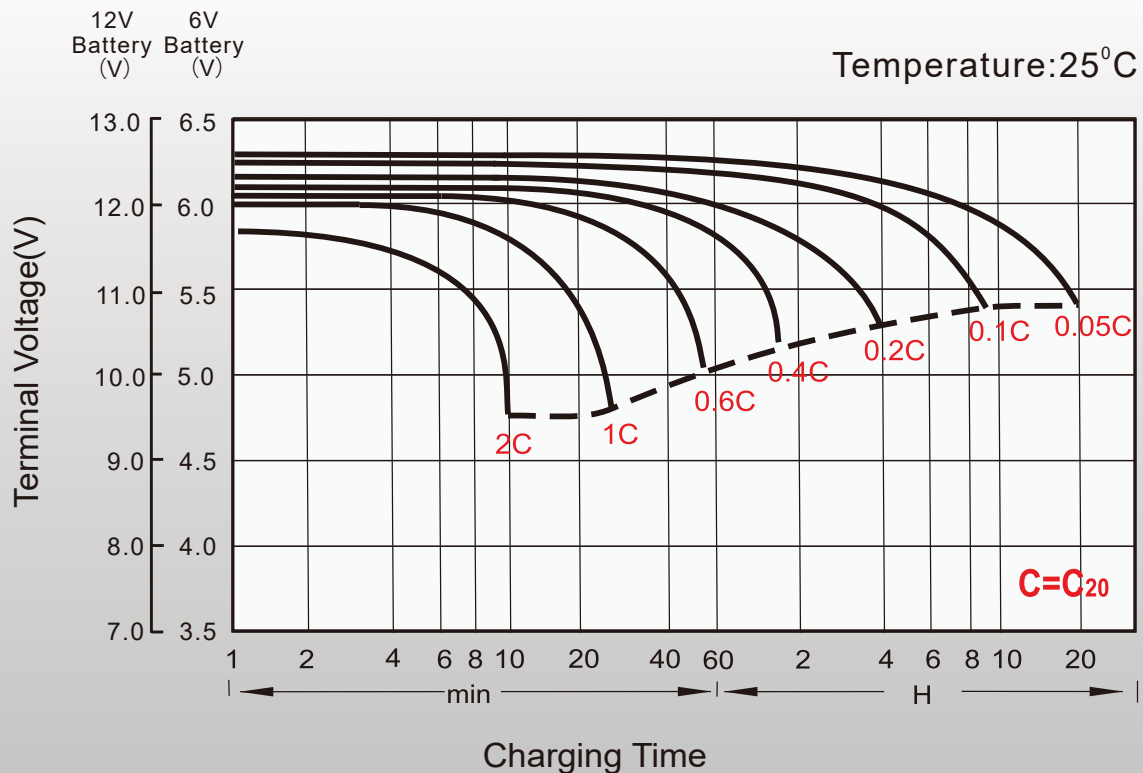
### Constant Current Discharge (Amperes) at 25°C (77°F)

F.V/Time	10min	15min	20min	30min	45min	1h	1.5h	2h	3h	4h	5h	6h	8h	10h	20h
1.85V/cell	250.0	216.8	170.5	154.2	112.8	89.3	69.2	55.2	43.8	35.6	31.0	27.1	22.0	18.6	9.62
1.80V/cell	283.8	245.7	192.7	167.9	119.5	98.8	73.5	60.8	48.1	38.7	32.6	28.7	22.9	19.0	10.0
1.75V/cell	292.7	255.6	201.0	166.7	121.4	108.7	78.8	63.9	49.4	39.3	33.1	29.2	23.1	19.4	10.3
1.70V/cell	307.8	266.0	208.1	171.3	123.8	110.8	80.4	65.2	50.1	39.9	33.6	29.6	23.3	19.6	10.4
1.67V/cell	338.6	290.7	226.7	177.3	128.1	116.5	84.0	67.8	51.6	40.6	34.6	30.1	23.7	19.8	10.6
1.60V/cell	350.2	299.7	232.5	179.9	130.0	120.3	86.3	69.3	52.3	41.3	35.3	30.6	23.9	20.0	10.8

### Constant Power Discharge (Watts/cell) at 25°C (77°F)

F.V/Time	10min	15min	20min	30min	45min	1h	1.5h	2h	3h	4h	5h	6h	8h	10h	20h
1.85V/cell	470.4	410.5	324.3	294.7	216.8	173.6	134.8	107.9	86.0	70.0	61.0	53.5	43.5	36.9	19.2
1.80V/cell	526.2	459.2	362.7	318.3	228.2	190.7	142.4	118.2	94.0	75.8	64.1	56.4	45.2	37.5	19.9
1.75V/cell	540.3	475.3	376.6	315.5	231.8	208.9	152.3	124.1	96.1	76.7	64.9	57.4	45.5	38.3	20.5
1.70V/cell	561.6	490.0	387.1	322.3	235.1	212.3	154.9	126.2	97.3	77.8	65.8	58.1	45.8	38.6	20.6
1.67V/cell	600.0	523.6	413.6	328.4	240.3	220.7	160.2	130.0	99.6	78.8	67.3	58.7	46.5	38.9	21.0
1.60V/cell	608.4	530.9	419.4	329.8	241.5	225.7	163.1	131.8	100.3	79.7	68.5	59.4	46.7	39.2	21.3

## Discharge Characteristics

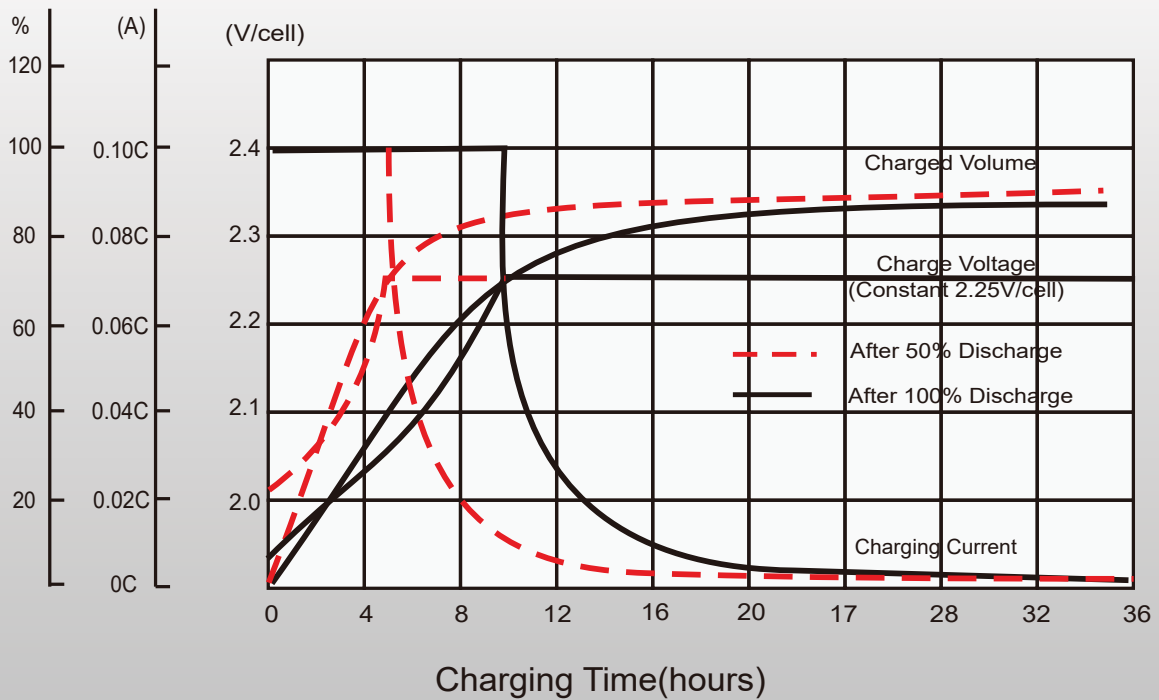




# Float Charging Characteristics

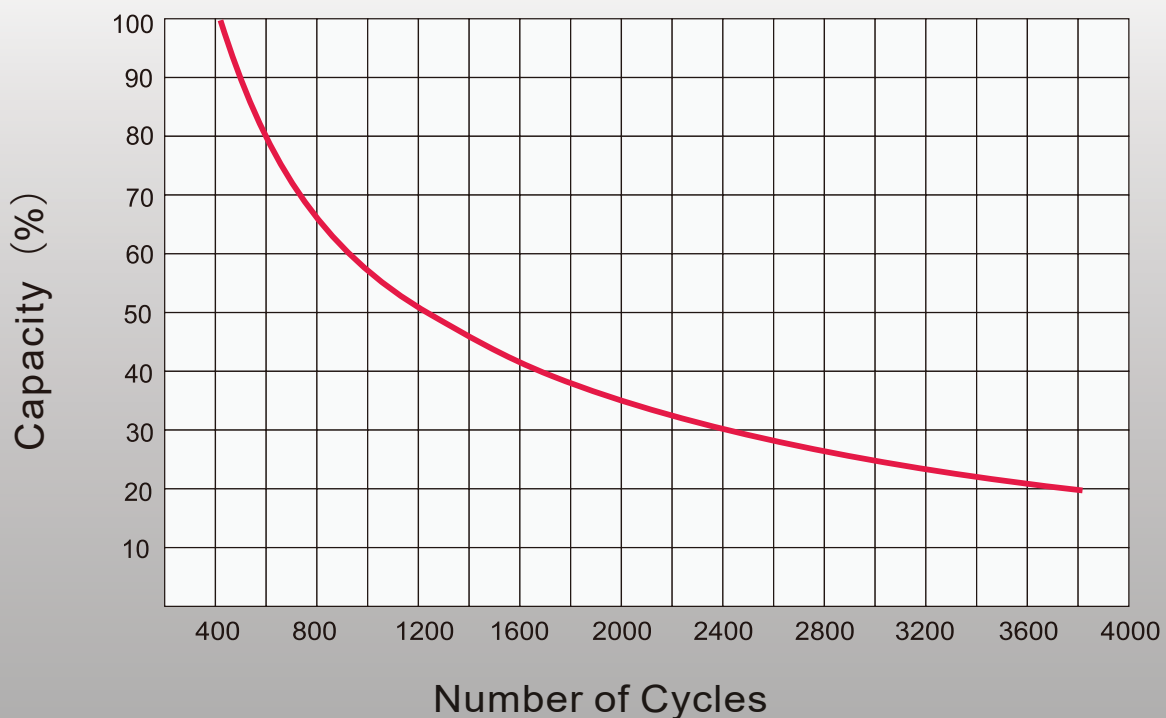
Charge Volume  
Charging Current  
Charging Voltage

0.1CA-2.25V/cell Temperature: 25°C

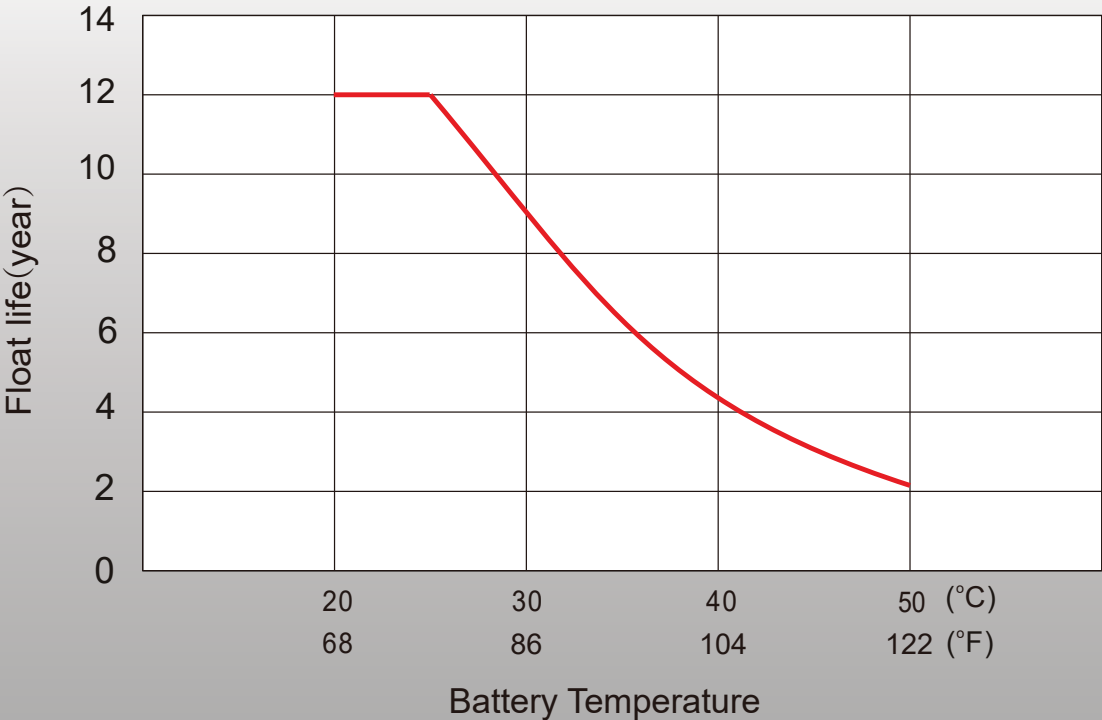


# Cycle Life in Relation to Depth of Discharge

Acc.to IEC 896-2 (25 °C / 77 °F)



# Effect of Temperature on Long Term Float Life





**Starmax Corporation**

1585 Cliveden Avenue, Delta, British Columbia  
V3M 6M1, Canada

**Phone:** +1 888 669 1310

**Email:** [info@starmaxbatteries.com](mailto:info@starmaxbatteries.com)

**Website:** [www.starmaxbatteries.com](http://www.starmaxbatteries.com)

