

STARMAX

The world's leading battery brand



TELECOMMUNICATION **BATTERIES**

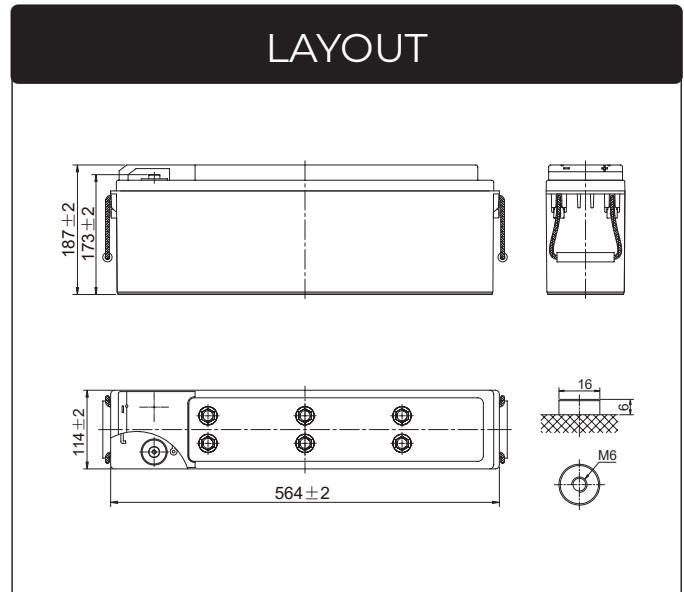
STFG12-70 (12V 70AH)



www.starmaxbatteries.com

FT SERIES - FRONT TERMINAL

STFG12-70



General Features

- ✓ Front terminals make the installation, maintenance and supervision easy
- ✓ Shield designs protect terminals from short circuit and show good appearance
- ✓ High thermal capacity can be used in bad environment
- ✓ Long time discharge

Applications

- ✓ Communication system
- ✓ Power system of special network or local area network
- ✓ UPS, standby power supply
- ✓ Power station systems
- ✓ Marine systems

Standards

- ✓ IEC 60896 Certified
- ✓ Classified as "Very Long Life" according to Eurobat
- ✓ UL, CE Certified
- ✓ Manufactured in Starmax® IATF 16949, ISO 9001, ISO 14001 and ISO 45001 certified production facilities



SPECIFICATIONS

Rated Voltage	12V	
Nominal Capacity	70.0Ah	(C ₂₀ ,1.80V/cell)
Dimensions	Length	564±2mm (22.2 inches)
	Width	114±2mm (4.49 inches)
	Container height	187±2mm (7.36 inches)
	Total height	187±2mm (7.36 inches)
Approx. weight	26.7 Kg (58.9 lbs)	
Terminal	M6	
Container material	ABS	
Rated capacity (25°C)	70.0 Ah	(20hr,3.50A,1.80V/cell)
	65.8 Ah	(10hr,6.58A,1.80V/cell)
	58.0 Ah	(5hr,11.6A,1.75V/cell)
	50.4 Ah	(3hr,16.8A,1.75V/cell)
	38.0 Ah	(1hr,38.0A,1.67V/cell)
Max. discharge current	700A (5s)	
Internal resistance (25°C)	Approx 8.0mΩ	
Operating temp. range	Discharge	-20~60°C (-4~140°F)
	Charge	-20~40°C (-4~104°F)
	Storage	-20~500°C (-4~122°F)
Nominal operating temp. range	25±3°C (77±5°F)	
Standby Use	Initial Charging Current less than 17.5A. Voltage 14.4V~15.0V at 25°C (77°F)Temp. Coefficient -30mV/°C	
Equalization Use	Initial Charging Current less than 17.5.Voltage 13.38V~13.62V at 25°C (77°F)Temp. Coefficient -20mV/°C	
Effect of temp. to Capacity	40°C (104°F)	103%
	25°C (77°F)	100%
	0°C (32°F)	86%
Self discharge	STFG series batteries may be stored for up to 6 months at 25°C(77°F) and then a freshening charge is required. For higher temperatures the time interval will be shorter.	

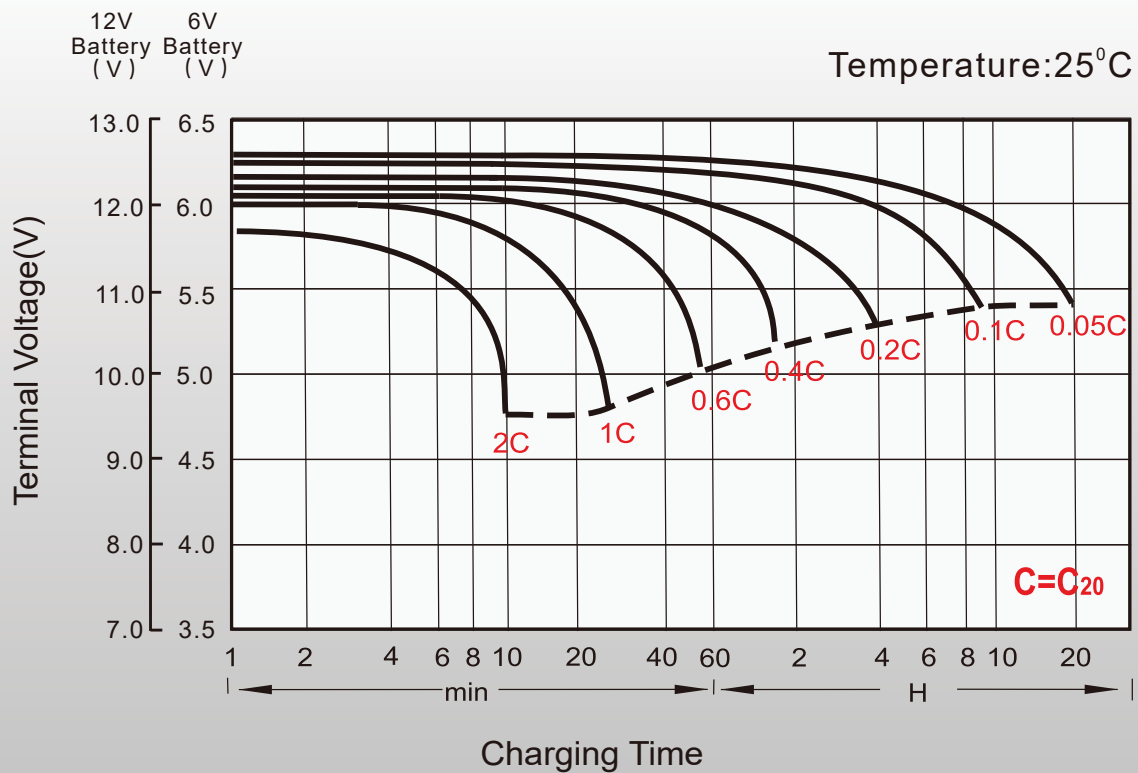
Constant Current Discharge (Amperes) at 25°C (77°F)

F.V/Time	20min	30min	45min	1h	2h	3h	4h	5h	6h	7h	8h	9h	10h	20h
1.85V/cell	62.0	48.7	37.1	29.3	19.4	14.8	12.3	10.6	9.13	8.08	7.29	6.66	6.30	3.36
1.80V/cell	71.0	54.4	40.9	32.3	21.0	15.9	13.0	11.1	9.58	8.46	7.64	7.01	6.58	3.50
1.75V/cell	79.8	59.8	44.3	34.6	22.3	16.8	13.6	11.6	9.92	8.76	7.88	7.21	6.71	3.57
1.70V/cell	85.9	64.0	47.0	36.6	23.6	17.5	14.1	11.9	10.3	9.05	8.12	7.41	6.87	3.62
1.67V/cell	89.5	66.5	48.7	38.0	24.2	18.0	14.4	12.2	10.4	9.18	8.24	7.50	6.95	3.65
1.60V/cell	96.9	71.2	52.3	40.3	25.2	18.7	15.0	12.5	10.7	9.38	8.39	7.66	7.09	3.70

Constant Power Discharge (Watts/cell) at 25°C (77°F)

F.V/Time	20min	30min	45min	1h	2h	3h	4h	5h	6h	7h	8h	9h	10h	20h
1.85V/cell	118.6	93.8	72.0	57.0	38.0	29.0	24.1	20.9	18.1	16.0	14.5	13.3	12.6	6.71
1.80V/cell	134.1	103.8	78.6	62.6	40.9	31.0	25.5	21.9	18.9	16.7	15.2	13.9	13.1	6.98
1.75V/cell	149.1	112.9	84.3	66.6	43.2	32.7	26.6	22.6	19.5	17.3	15.6	14.3	13.3	7.11
1.70V/cell	158.8	120.1	89.1	70.2	45.6	33.9	27.4	23.3	20.2	17.8	16.0	14.7	13.6	7.19
1.67V/cell	163.5	123.1	91.5	72.3	46.5	34.8	28.0	23.7	20.4	18.0	16.3	14.8	13.8	7.25
1.60V/cell	175.2	130.9	97.7	76.4	48.2	36.1	29.0	24.3	20.9	18.4	16.5	15.10	14.0	7.35

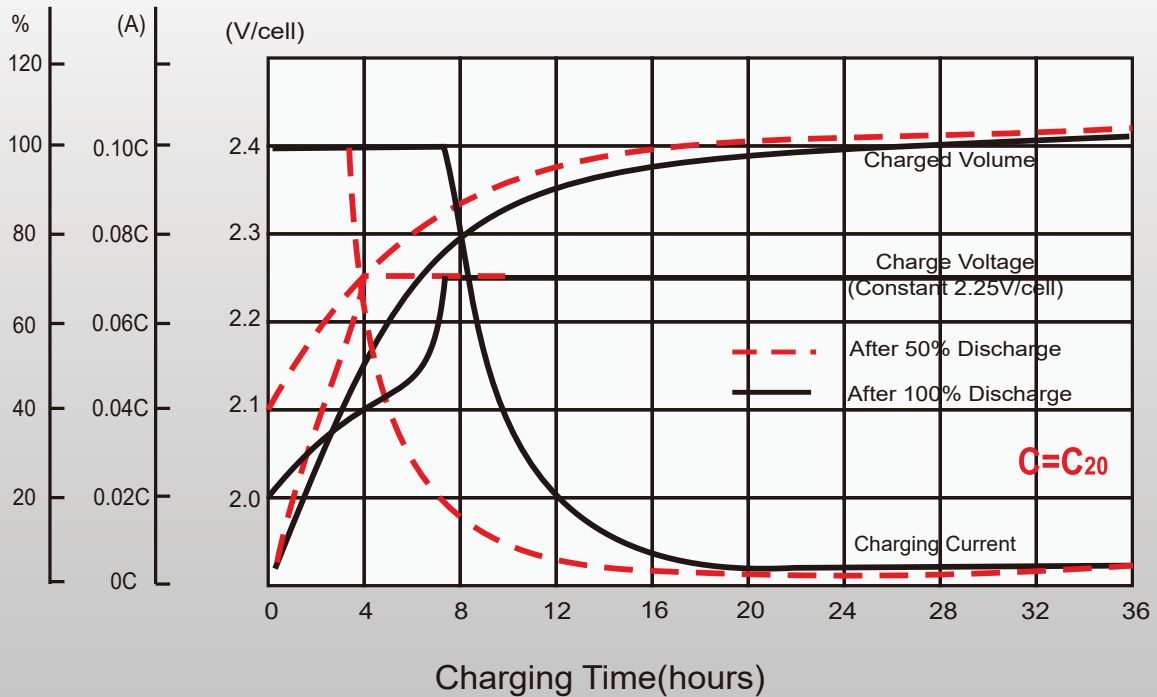
Discharge Characteristics



Float Charging Characteristics

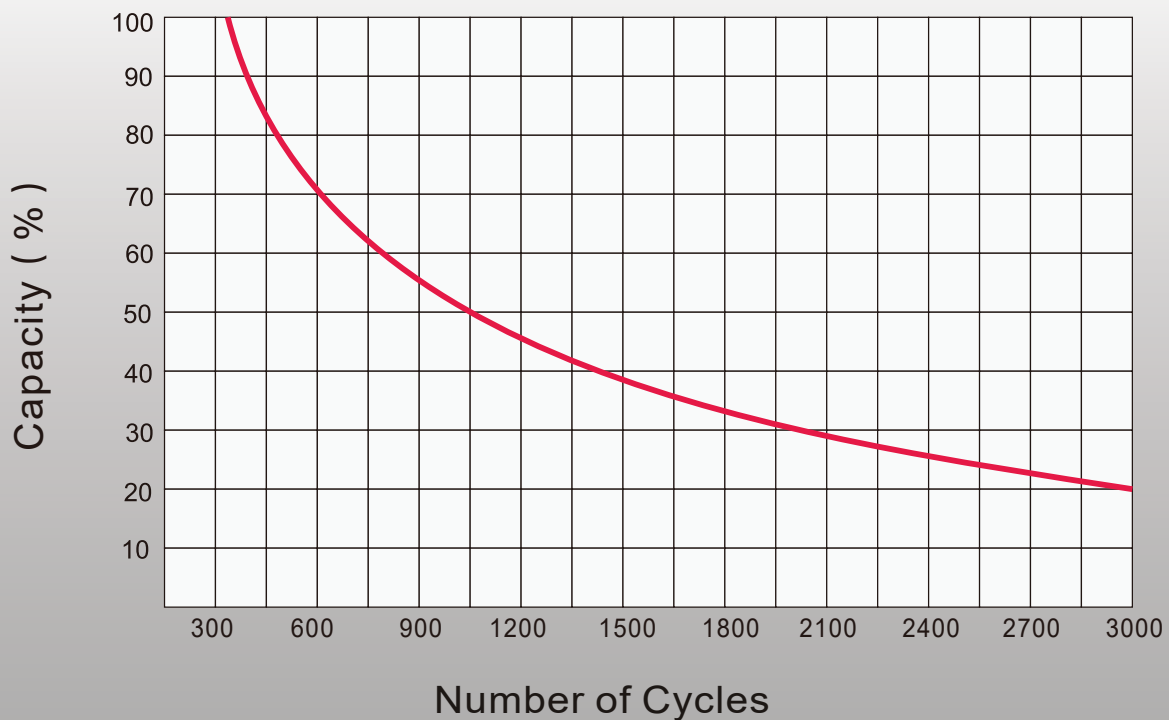
Charge Volume
Charging Current
Charging Voltage

0.1CA-2.25V/cell Temperature: 25°C

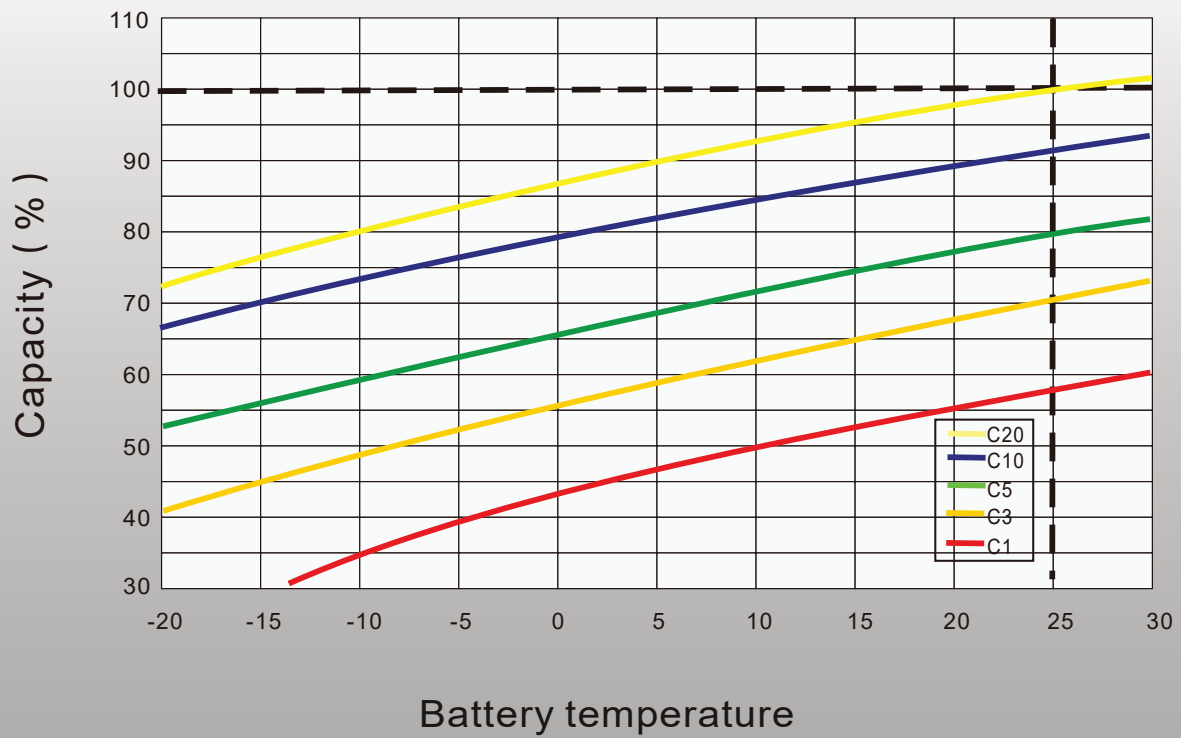


Cycle Life in Relation to Depth of Discharge

Acc.to IEC 896-2 (25 °C / 77°F)



Temperature Effects in Relation to Battery Capacity





Starmax Corporation

1585 Cliveden Avenue, Delta, British Columbia
V3M 6M1, Canada

Phone: +1 888 669 1310

Email: info@starmaxbatteries.com

Website: www.starmaxbatteries.com

