

STARMAX

The world's leading battery brand



TELECOMMUNICATION **BATTERIES**

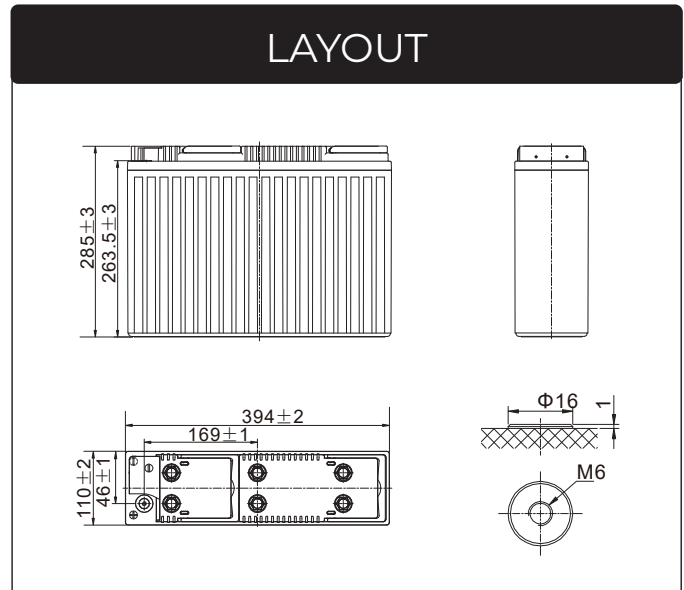
STFG12-100 (12V 96AH)



www.starmaxbatteries.com

FT SERIES - FRONT TERMINAL

STFG12-100



General Features

- ✓ Front terminals make the installation, maintenance and supervision easy
- ✓ Shield designs protect terminals from short circuit and show good appearance
- ✓ High thermal capacity can be used in bad environment
- ✓ Long time discharge

Applications

- ✓ Communication system
- ✓ Power system of special network or local area network
- ✓ UPS, standby power supply
- ✓ Power station systems
- ✓ Marine systems

Standards

- ✓ IEC 60896 Certified
- ✓ Classified as "Very Long Life" according to Eurobat
- ✓ UL, CE Certified
- ✓ Manufactured in Starmax® IATF 16949, ISO 9001, ISO 14001 and ISO 45001 certified production facilities



SPECIFICATIONS

Rated Voltage	12V	
Nominal Capacity	96.0Ah	(C ₂₀ ,1.80V/cell)
Dimensions	Length	394±2mm (15.5 inches)
	Width	110±2mm (4.33 inches)
	Container height	285±3mm (11.2 inches)
	Total height	285±3mm (11.2 inches)
Approx. weight	35.0 Kg (77.2 lbs)	
Terminal	M6	
Container material	ABS	
Rated capacity (25°C)	96.0 Ah	(20hr,4.80A,1.80V/cell)
	90.0 Ah	(10hr,9.00A,1.80V/cell)
	79.2 Ah	(5hr,15.8A,1.75V/cell)
	69.0 Ah	(3hr,23.0A,1.75V/cell)
	49.2 Ah	(1hr,49.2A,1.67V/cell)
Max. discharge current	960A (5s)	
Internal resistance (25°C)	Approx 5.5mΩ	
Operating temp. range	Discharge	-20~60°C (-4~140°F)
	Charge	-20~40°C (-4~104°F)
	Storage	-20~500°C (-4~122°F)
Nominal operating temp. range	25±3°C (77±5°F)	
Standby Use	Initial Charging Current less than 25.0A. Voltage 14.4V~15.0V at 25°C (77°F)Temp. Coefficient -30mV/°C	
Equalization Use	Initial Charging Current less than 25.0.Voltage 13.38V~13.62V at 25°C (77°F)Temp. Coefficient -20mV/°C	
Effect of temp. to Capacity	40°C (104°F)	103%
	25°C (77°F)	100%
	0°C (32°F)	86%
Self discharge	STFG series batteries may be stored for up to 6 months at 25°C(77°F) and then a freshening charge is required. For higher temperatures the time interval will be shorter.	

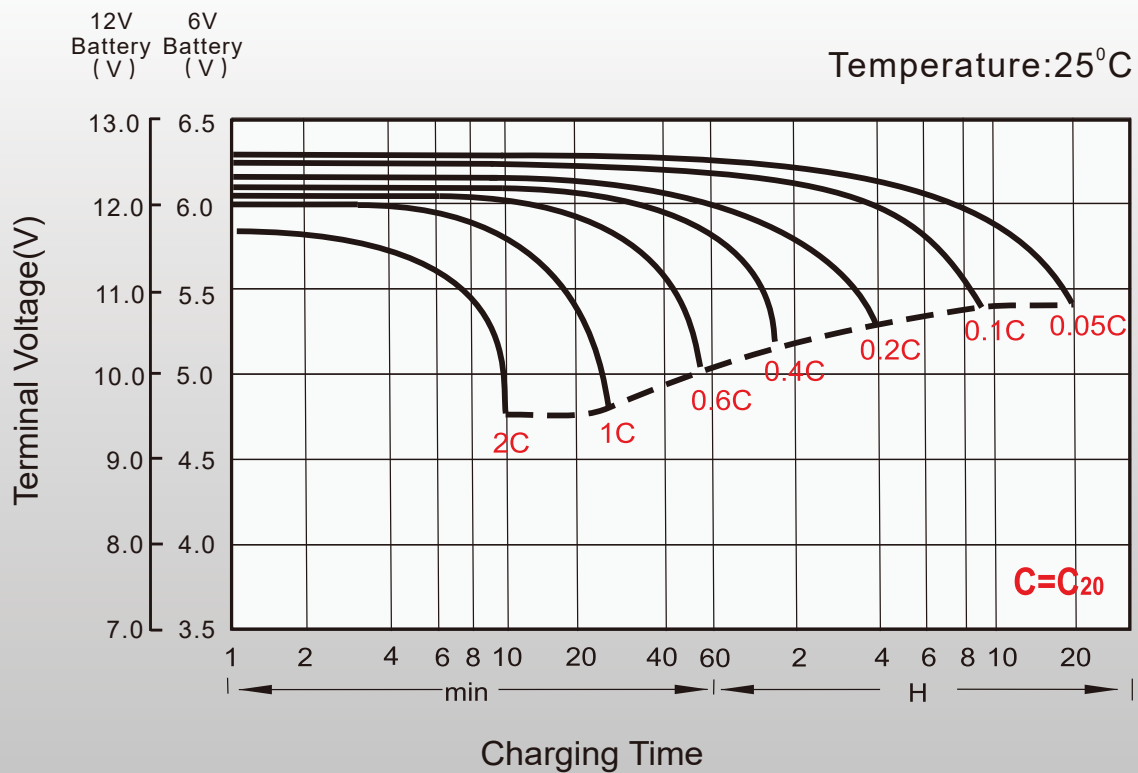
Constant Current Discharge (Amperes) at 25°C (77°F)

F.V/Time	20min	30min	45min	1h	2h	3h	4h	5h	6h	7h	8h	9h	10h	20h
1.85V/cell	75.6	59.4	45.3	37.9	26.6	20.3	16.8	14.5	12.5	11.1	10.0	9.11	8.62	4.61
1.80V/cell	86.6	66.3	49.9	41.8	28.8	21.7	17.8	15.2	13.1	11.6	10.4	9.58	9.00	4.80
1.75V/cell	97.3	72.9	54.0	44.8	30.5	23.0	18.7	15.8	13.6	12.0	10.8	9.87	9.18	4.90
1.67V/cell	109.1	81.2	59.4	49.2	33.2	24.7	19.8	16.7	14.3	12.6	11.3	10.3	9.50	5.01
1.60V/cell	118.3	86.9	63.8	52.2	34.6	25.7	20.5	17.2	14.6	12.8	11.5	10.5	9.69	5.08

Constant Power Discharge (Watts/cell) at 25°C (77°F)

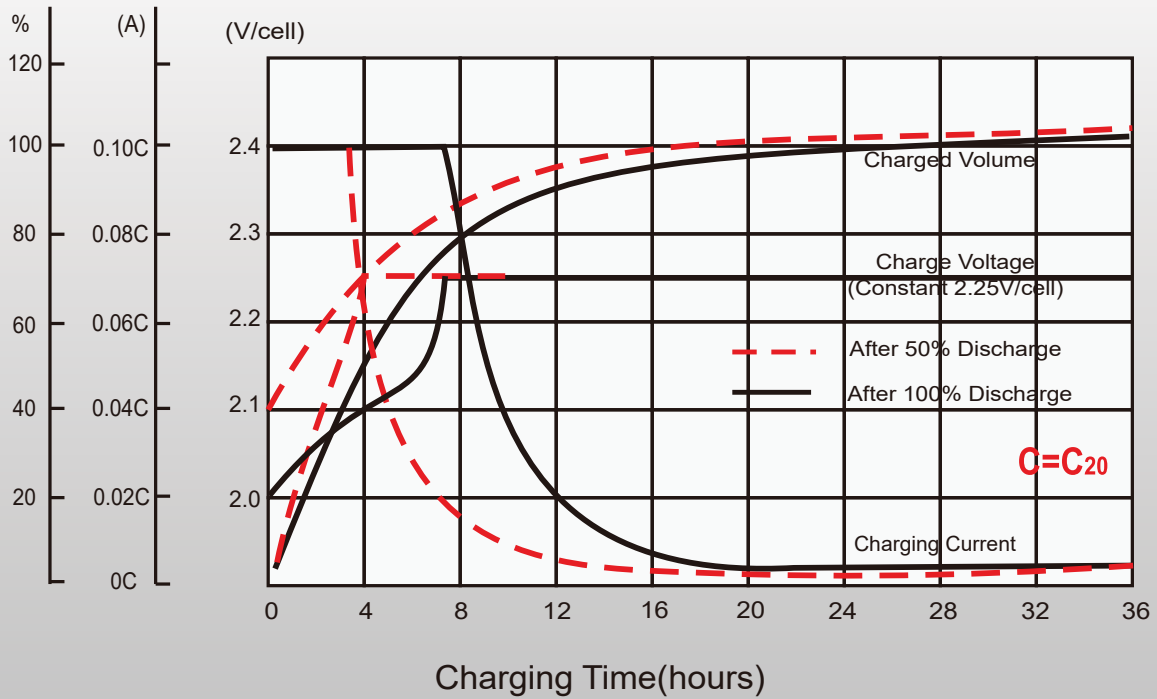
F.V/Time	20min	30min	45min	1h	2h	3h	4h	5h	6h	7h	8h	9h	10h	20h
1.85V/cell	144.7	114.4	87.8	73.8	52.0	39.8	33.1	28.6	24.7	22.0	19.8	18.2	17.2	9.20
1.80V/cell	163.6	126.6	95.9	81.0	56.0	42.5	34.9	30.0	25.9	22.9	20.7	19.0	17.9	9.57
1.75V/cell	181.8	137.7	102.8	86.3	59.2	44.7	36.4	31.0	26.7	23.7	21.3	19.6	18.2	9.75
1.67V/cell	199.4	150.2	111.6	93.7	63.8	47.7	38.4	32.5	28.0	24.7	22.2	20.3	18.8	9.95
1.60V/cell	213.7	159.7	119.2	98.9	66.0	49.4	39.7	33.4	28.5	25.1	22.6	20.7	19.2	10.1

Discharge Characteristics



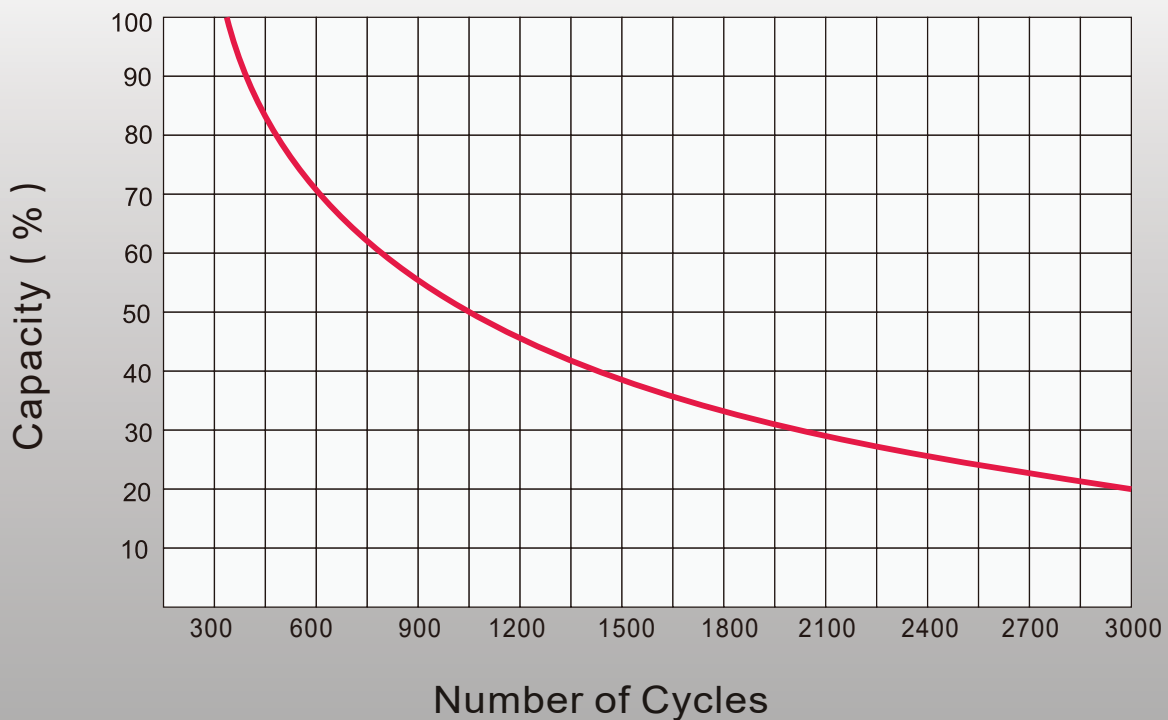
Float Charging Characteristics

Charge Volume Charging Current Charging Voltage 0.1CA-2.25V/cell Temperature: 25°C

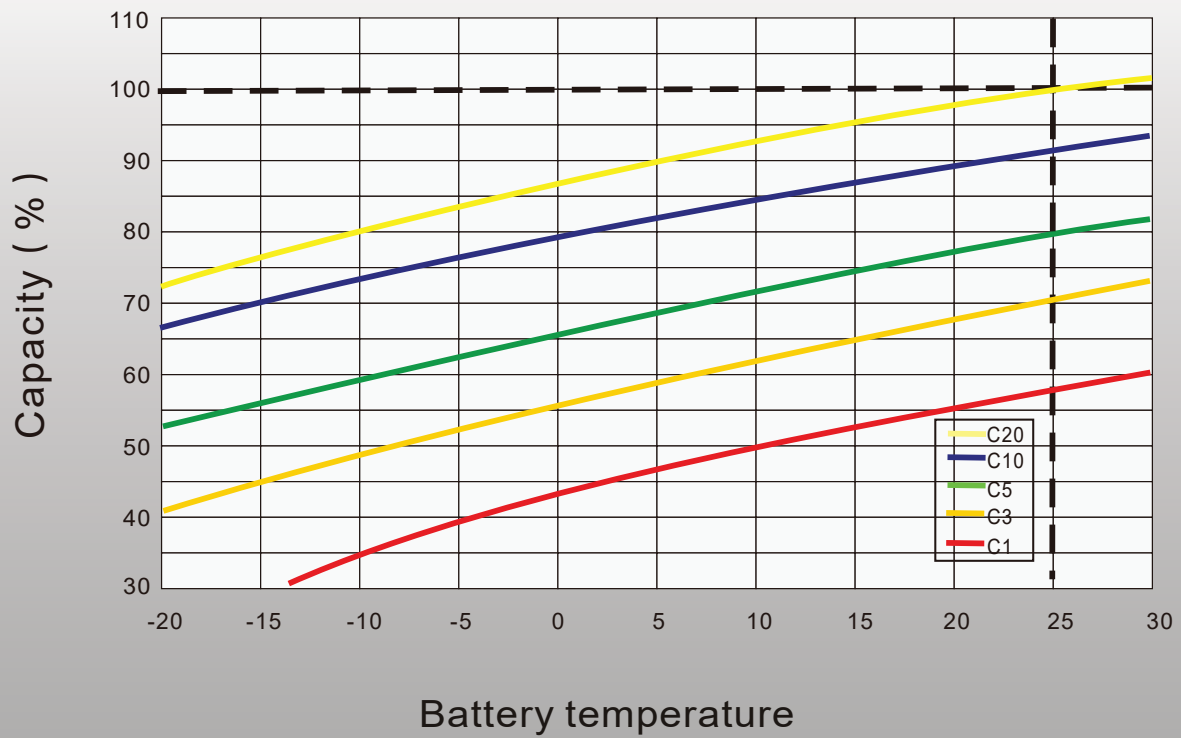


Cycle Life in Relation to Depth of Discharge

Acc.to IEC 896-2 (25 °C / 77°F)



Temperature Effects in Relation to Battery Capacity





Starmax Corporation

1585 Cliveden Avenue, Delta, British Columbia
V3M 6M1, Canada

Phone: +1 888 669 1310

Email: info@starmaxbatteries.com

Website: www.starmaxbatteries.com

