

# STARMAX

The world's leading battery brand



## TELECOMMUNICATION **BATTERIES**

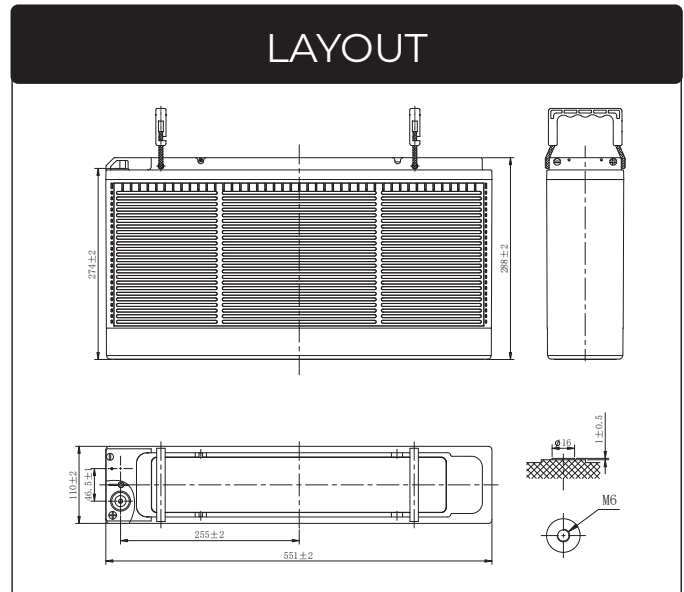
STF12-125 (12V 125Ah)



[www.starmaxbatteries.com](http://www.starmaxbatteries.com)

# FT SERIES - FRONT TERMINAL

## STF12-125



## General Features

- ✓ 12 years design life(25°C)
- ✓ Specifically ideal for 19 inches or 23 inches power cabinets
- ✓ Front terminals make the installation, maintenance and supervision easy
- ✓ Shield designs protect terminals from short circuit and show good appearance
- ✓ Unique vent valve design: reduce water losing and prevent air/spark going inside

## Applications

- ✓ UPS
- ✓ For standard power cabinet
- ✓ Network connection equipment of communication system
- ✓ Power system of special network of local area network
- ✓ Power station systems

## Standards

- ✓ Compliance with IEC 60896 standards, EU Battery Directive
- ✓ UL, CE Certified
- ✓ Manufactured in Starmax® IATF16949, ISO 45001,ISO 9001 and ISO 14001 certified production facilities



# SPECIFICATIONS

Rated Voltage	12V	
Nominal Capacity	(C <sub>10</sub> ,1.80V/cell)	125.0Ah
Dimensions	Length	551±2mm (21.7 inches)
	Width	110±2mm (4.33 inches)
	Container height	288±2mm (11.3 inches)
	Total height	288±2mm (11.3 inches)
Approx. weight	41.5 Kg (91.5 lbs)	
Terminal	M6	
Container material	ABS	
Rated capacity (25°C)	131.2 Ah	(20hr,6.56A,1.80V/cell)
	125.0 Ah	(10hr,12.5A,1.80V/cell)
	122.4 Ah	(8hr,15.3A,1.75V/cell)
	109.5 Ah	(5hr,21.9A,1.75V/cell)
	83.9 Ah	(1hr,83.9A,1.60V/cell)
Max. discharge current	1250A (5s)	
Internal resistance (25°C)	Approx 5.5mΩ	
Operating temp. range	Discharge	-15~50°C ( 5~122°F)
	Charge	-20~40°C (-4~104°F)
	Storage	-15~40°C (5~104°F)
Nominal operating temp. range	25±3°C (77±5°F)	
Standby Use	Initial Charging Current less than 37.5A. Voltage 14.1V~14.4V at 25°C (77°F)Temp. Coefficient -30mV/°C	
Equalization Use	Initial Charging Current less than 37.5A.Voltage 13.5V~13.8V at 25°C (77°F)Temp. Coefficient -20mV/°C	
Effect of temp. to Capacity	40°C (104°F)	103%
	25°C ( 77°F)	100%
	0°C ( 32°F)	86%
Self discharge	STF series batteries may be stored for up to 6 months at 25°C(77°F) and then a freshening charge is required. For higher temperatures the time interval will be shorter.	

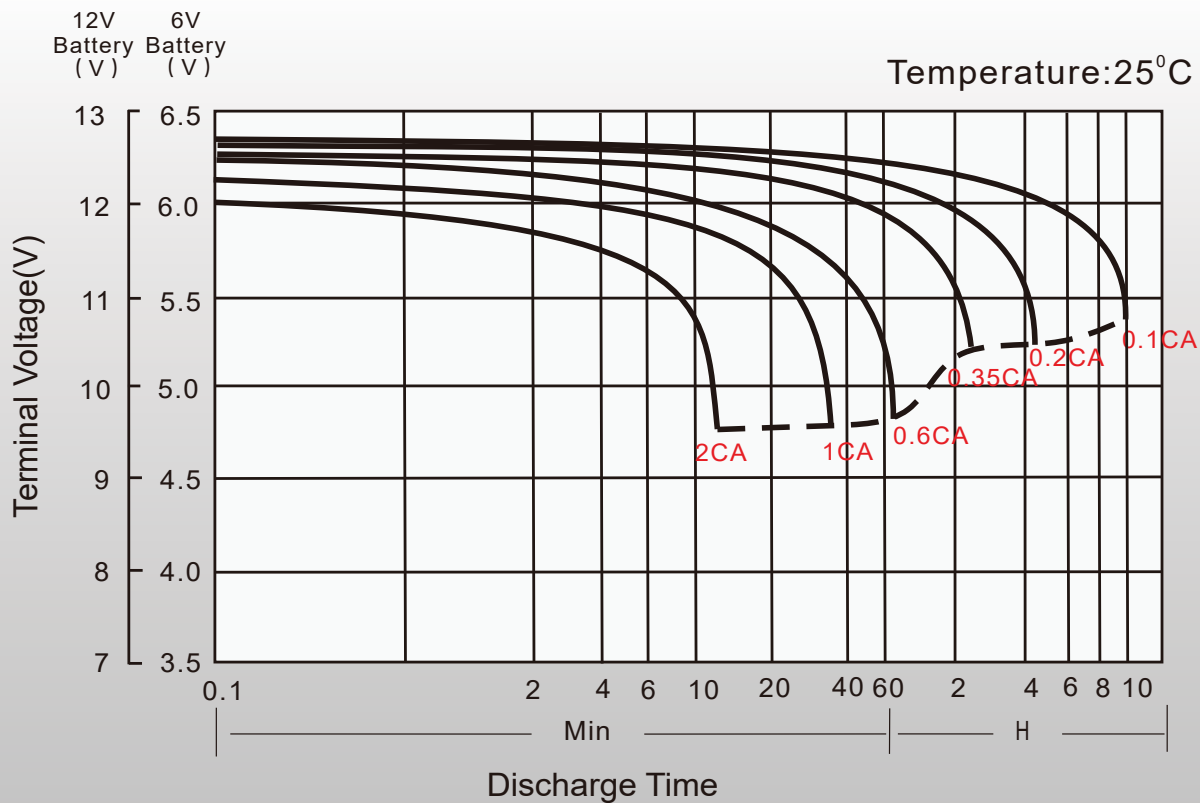
## Constant Current Discharge (Amperes) at 25°C (77°F)

F.V/Time	10min	15min	20min	30min	45min	1h	2h	3h	4h	5h	6h	8h	10h	20h
1.85V/cell	180.8	161.8	141.6	114.6	88.4	65.9	39.5	29.8	23.8	19.9	18.1	14.0	11.7	6.15
1.80V/cell	210.0	188.1	157.2	123.9	93.3	72.9	43.0	32.3	25.6	21.4	18.5	15.0	12.5	6.56
1.75V/cell	231.8	199.0	167.7	129.6	96.7	75.6	44.3	33.1	26.3	21.9	18.8	15.3	12.7	6.66
1.70V/cell	246.8	210.3	174.0	133.4	98.7	78.4	45.8	34.1	26.9	22.4	19.1	15.5	12.9	6.77
1.67V/cell	258.0	216.9	178.8	136.0	100.8	80.0	46.5	34.6	27.3	22.7	19.3	15.7	13.0	6.83
1.60V/cell	269.3	232.5	183.0	139.6	102.4	83.9	48.5	35.9	28.2	23.3	19.4	16.1	13.3	6.97

## Constant Power Discharge (Watts/cell) at 25°C (77°F)

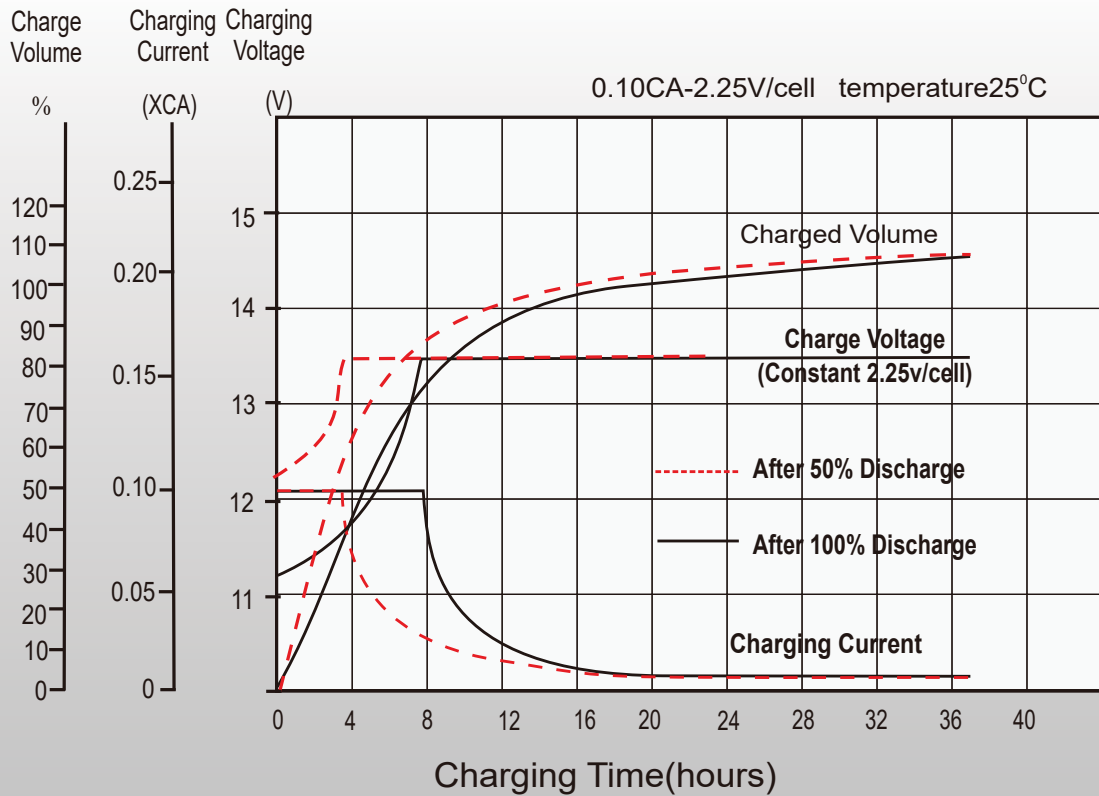
F.V/Time	10min	15min	20min	30min	45min	1h	2h	3h	4h	5h	6h	8h	10h	20h
1.85V/cell	337.5	310.8	269.7	220.6	171.7	128.0	77.3	58.5	46.7	39.1	35.9	27.7	23.2	12.5
1.80V/cell	387.6	357.6	295.1	235.0	179.9	140.7	83.6	63.0	50.2	42.0	36.7	29.6	24.7	13.2
1.75V/cell	420.9	374.3	311.8	243.8	184.5	144.9	85.7	64.4	51.2	42.8	37.1	30.1	25.0	13.3
1.70V/cell	438.1	391.2	321.2	249.6	187.7	149.2	88.0	66.0	52.3	43.6	37.5	30.5	25.4	13.5
1.67V/cell	456.3	404.6	328.7	253.9	191.2	151.6	89.2	66.8	52.9	44.1	37.8	30.8	25.6	13.6
1.60V/cell	463.1	422.1	331.6	254.9	192.0	157.5	92.2	68.8	54.4	45.2	38.0	31.4	26.1	13.8

## Discharge Characteristics

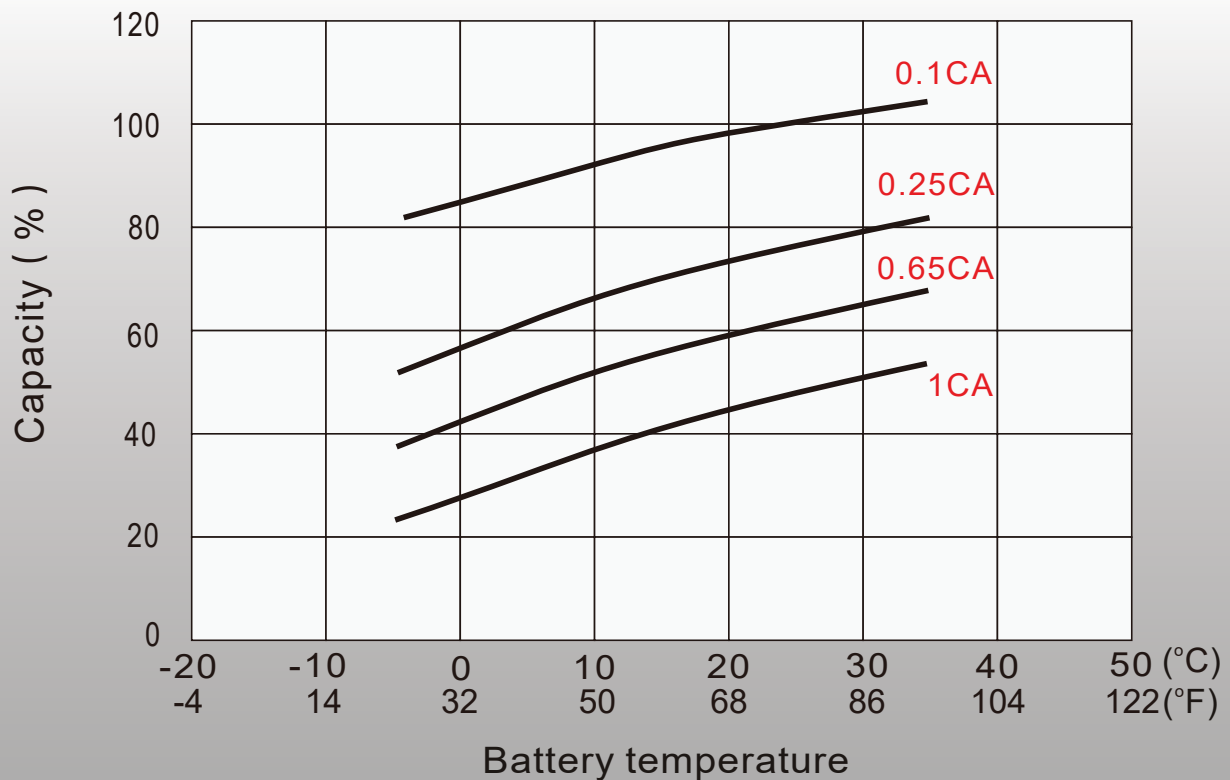




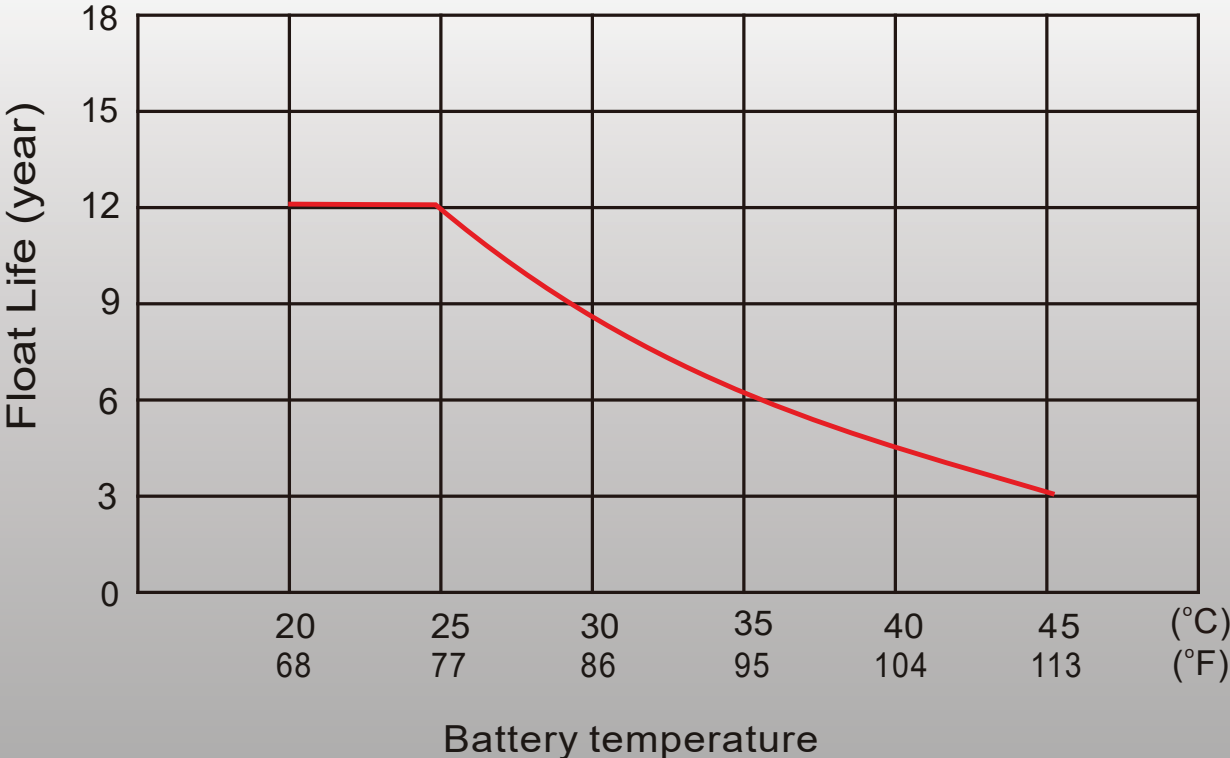
# Float Charging Characteristics



# Temperature Effects in Relation to Battery Capacity



# Effect of Temperature on Long Term Float Life





**Starmax Corporation**

1585 Cliveden Avenue, Delta, British Columbia  
V3M 6M1, Canada

**Phone:** +1 888 669 1310

**Email:** [info@starmaxbatteries.com](mailto:info@starmaxbatteries.com)

**Website:** [www.starmaxbatteries.com](http://www.starmaxbatteries.com)

